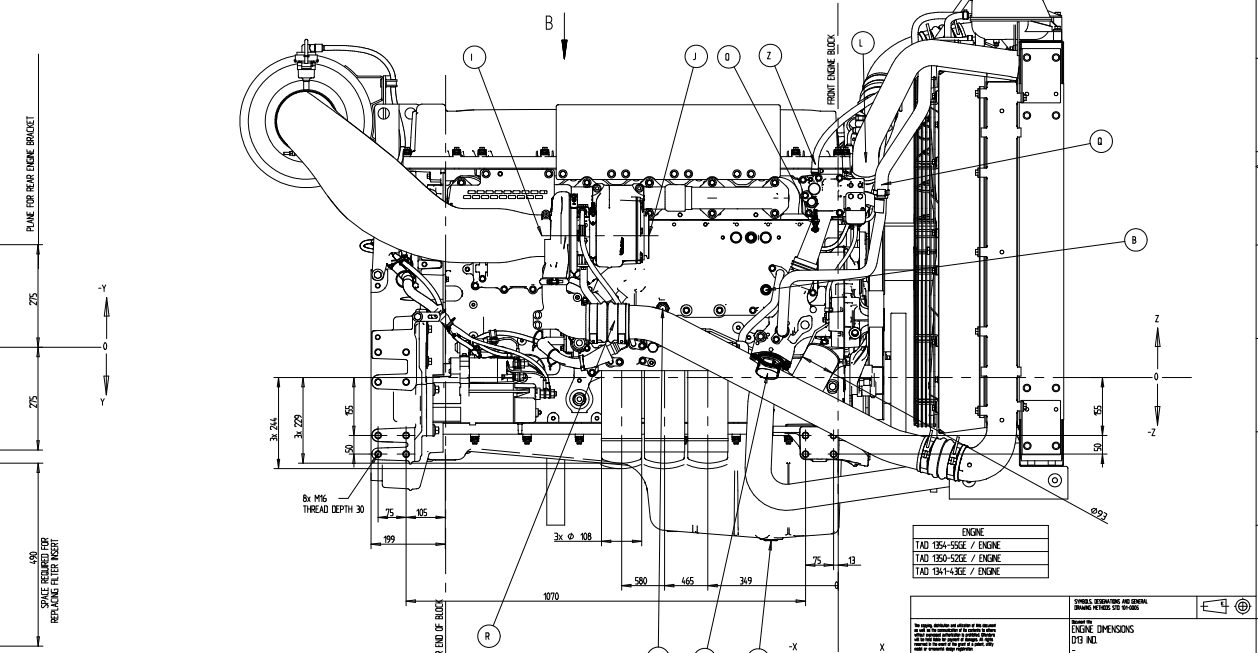
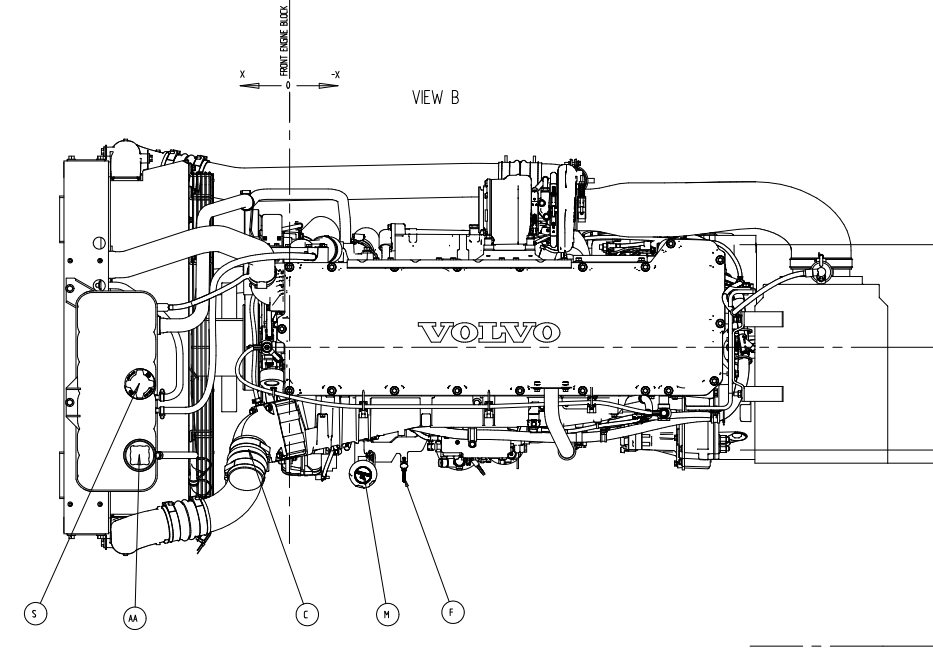


POS	DESCRIPTION	X	Y	Z	NOTE
A	WATER FROM ENGINE HEATER	-100	428	495	PIPE CONNECTION TO FIT #22
B	WATER TO ENGINE HEATER	-194	-201	235	M8x15
C	CHARGE AIR FROM CAC	102	306	738	Ø90
E	WATER DRAIN COOK	-470	-228	885	M22x15
F	DL DP STEK	-307	257	-33	
G	FUEL INLET	402	227	617	Ø9.5
H	FUEL INLET OPTIONAL	-522	341	55	Ø6.35
I	FUEL RETURN	-756	-368	380	1/4" NPTF
J	FUEL RETURN OPTIONAL	-507	-368	380	V-CLAMP Ø122
K	AIR INTAKE	-191	-262	10	Ø60
L	EXHAUST OUTLET	74	-206	563	Ø60
M	WATER INLET	-198	312	49	
N	DL FILLER CAP	-735	107	198	ØMS
O	DL PRESSURE SENDER	-61	-205	123	ØMS
P	WATER TEMP SENDER	-162	250	117	M8x15 GEAR RATIO
Q	OPTIONAL SPEED SENDER				11
R	FROM EXPANSION TANK	116	-389	511	153 TEETH Ø28
S	CHARGE AIR TO CAC	-613	-446	149	Ø90
T	COOLANT REFILL	401	98	1064	Ø126
U	DL DRAIN FLUE	-180	0	-437	M24x15
V	DL TEMP SENDER	-360	888	-178	ØMS
W	CRANK CASE VENTILATION	-756	210	71	Ø38
X	DL TO AIR COMPRESSION	-781	126	162	M12x15
Y	CONTROL UNIT	284	0	327	
Z	FAN HUB	-62	-242	565	Ø10
AA	AIR VENT HOSE Ø 95 TO BE CONNECTED TO EXP. TANK				
BB	PRESSURE CAP	401	289	1066	
CC	AUX FRONT STOP (DIAGNOSIS AND ENGINE INTERFACE)	-499	294	309	
DD	AUX STOP	-548	297	404	
TP	CENTRE OF GRAVITY	-547	-10	218	



ENGINE	
TAD 154-552E / ENGINE	
TAD 154-552E / ENGINE	
TAD 154-552E / ENGINE	

VOLVO PENTA	
ENGINE DIMENSIONS	
DIN 10	
DISPOSITION DRAWING	
3521845	106