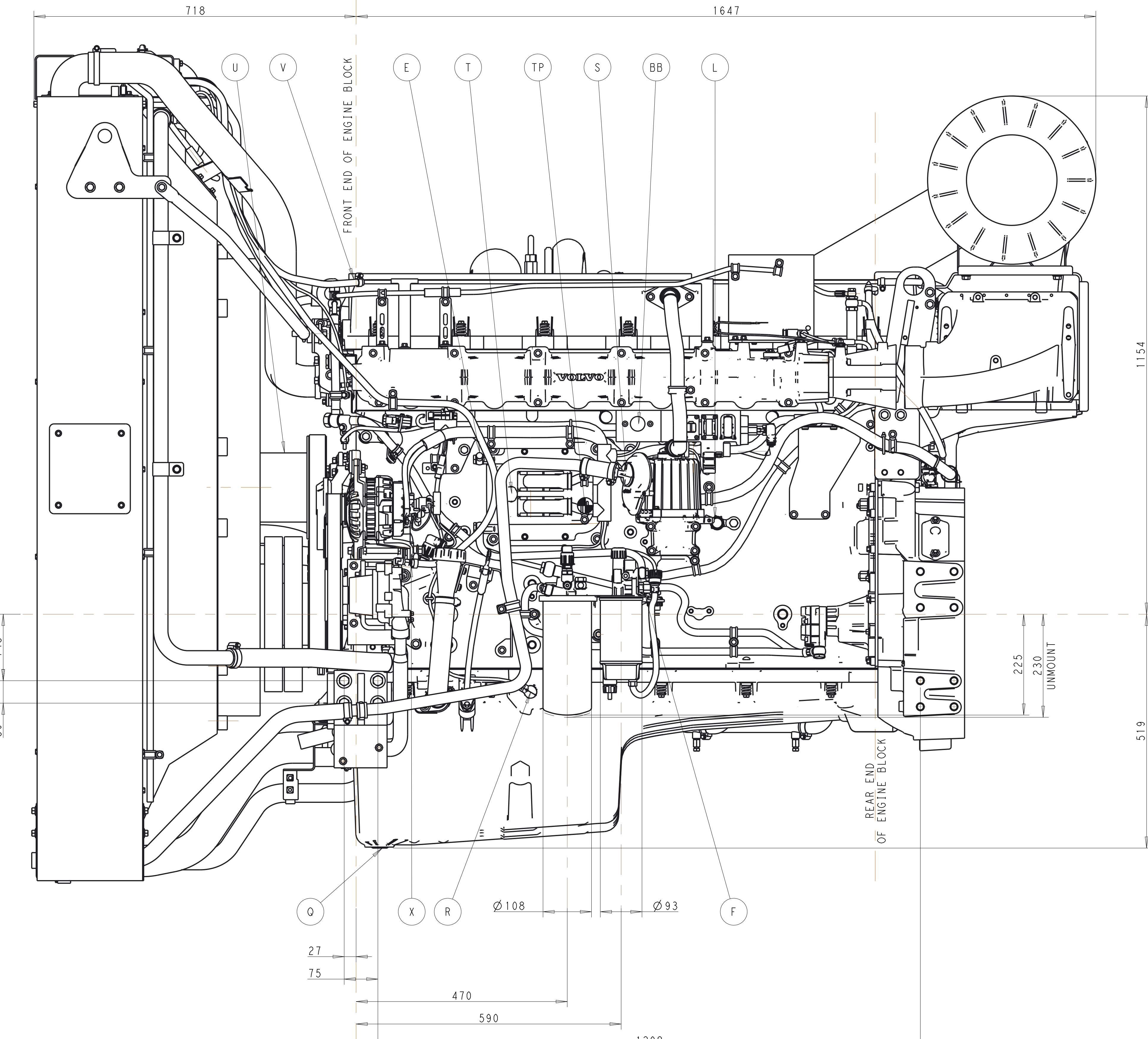
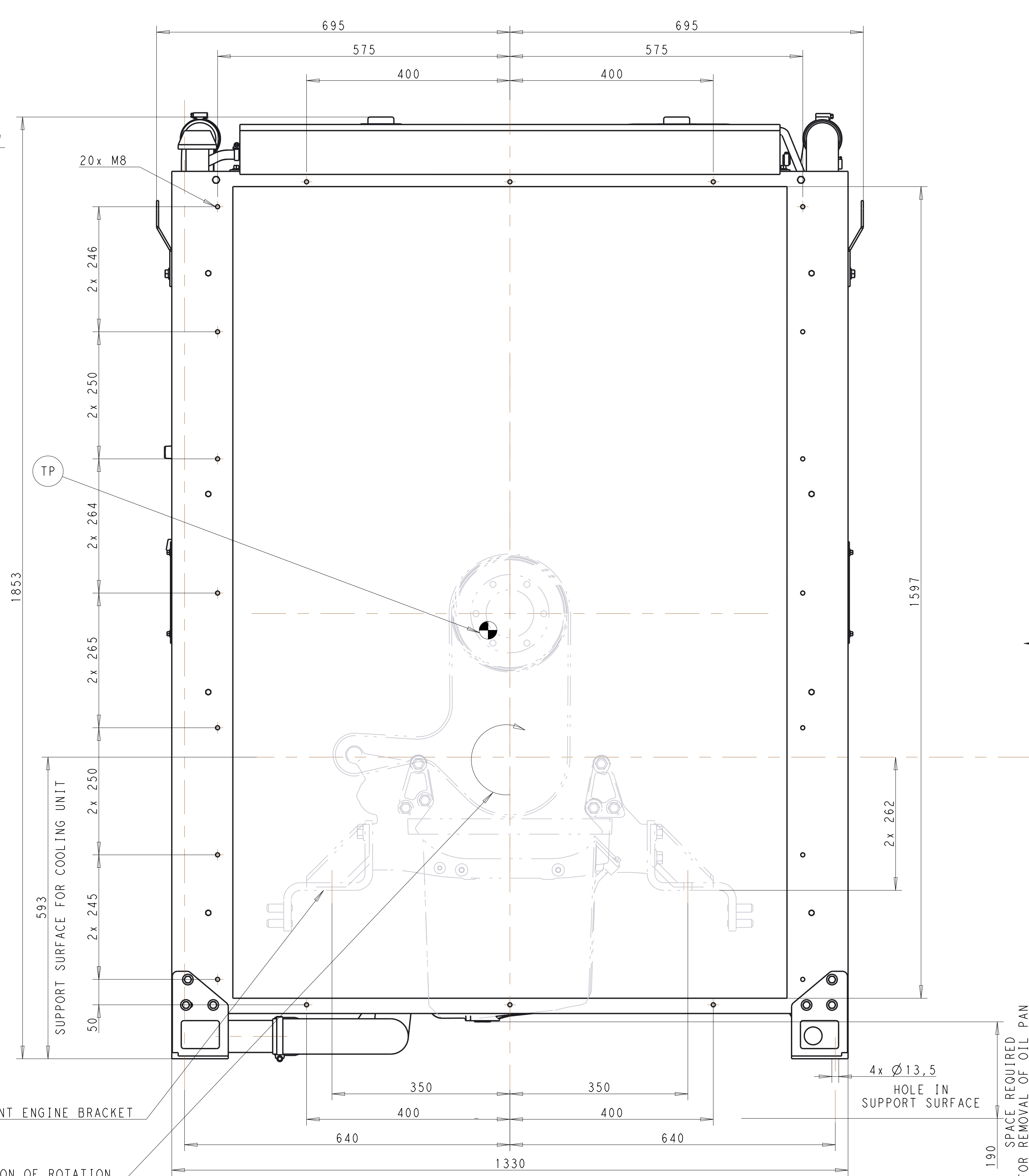
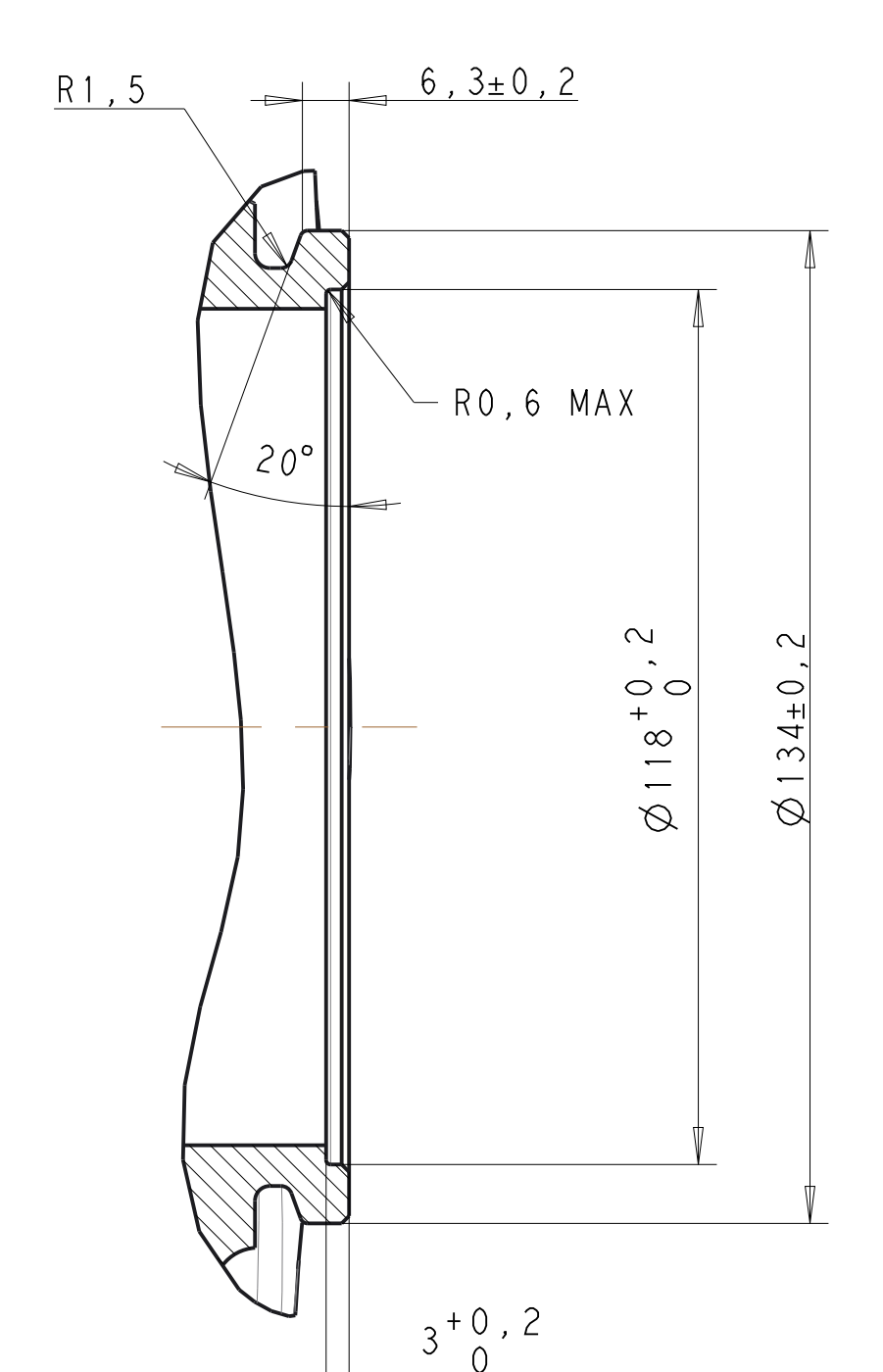


VIEW FROM-A



V-CLAMP
TURBO CHARGER
1:1



POS	DESCRIPTION	X	Y	Z	NOTE
A	WATER FROM ENGINE HEATER	1096	390	-148	PIPE CONNECTION TO FIT Ø22
B	WATER TO ENGINE HEATER	226	210	-147	M22x1,5
C	WATER DRAIN COOK	226	210	-147	M22x1,5
D	OIL DIP STICK	298	142	379	
E	FUEL INLET FUEL INLET OPTIONAL	275	353	195	Ø9,5 3/8" NPSF
F	FUEL RETURN FUEL RETURN OPTIONAL	628	92	301	Ø6,35 1/4" NPSF
G	AIR INTAKE	538	668	-433	Ø150
H	EXHAUST OUTLET	187	668	-433	V-CLAMP Ø140
J	WATER INLET				Ø60
J	WATER OUTLET	-66	518	-163	Ø60
K	OIL FILLER CAP	210	146	343	
L	OIL PRESSURE SENDER	804	203	120	M16x1,5 (EMS)
M	WATER TEMP SENDER	110	560	-216	EMS
O	FROM EXPANSION TANK	-263	133	-583	Ø32
P	COOLANT REFILL	-651 -563 -563	1232 1259 1259	-615 328 -254	
Q	OIL DRAIN PLUG	53	-519	-54	M24x1,5
R	OIL TEMP SENDER	388	-171	204	EMS
S	CLOSED CRANK CASE VENTILATION	603	311	288	
T	CONTROL UNIT	343	267	176	
U	FAN HUB	-307	282	0	
V	AIR VENT PIPE OD Ø8 TO BE CONNECTED TO EXP. TANK	15	740	165	
W	AIR VENT HOSE Ø9,5 TO BE CONNECTED TO EXP. TANK	84	550	-245	M12x1,5
X	AIR VENTILATION HOSE Ø9,5 FROM PUMP TO EXP. TANK	87	105	312	
AA	PRESSURE CAP	-563 -563	1259 1259	328 -254	
BB	AUX. STOP	627	424	258	
TP	CENTER OF GRAVITY	519	242	-33	

SCALE 1:5

SYMBOLS, DESIGNATIONS AND GENERAL DRAWING METHODS STD 101-0005

Document Title
ENGINE DIMENSIONS
ENGINE TWD1644/45GE

Document Type
DIMENSION DRAWING

Document No
22948756

Issue Index
02

Sheet No
1(2)

Released

